



NATIONAL POWER CORPORATION

SUPPLEMENTAL / BID BULLETIN NO. 2

SUPPLY AND DELIVERY OF VARIOUS MECHANICAL SPARE PARTS FOR 100KW, 150KW, 200KW, 280KW, 300KW, 545KW AND 600KW CUMMINS GENERATOR SET OF SPUG WMOD PLANTS - (PR NO. S3-WMO24-005 / REF. NO. PB240130-AM00015)

21 FEBRUARY 2024

All prospective bidders and authorized copy holders of the Bid Documents of the mentioned project are hereby informed of the clarifications/changes, to wit:

INVITATION TO BID PUBLIC BIDDING – BCS 2024-0023	
FROM	TO
Postponed until further Notice under Supplemental / Bid Bulletin No. 1 dated 25 January 2024	29 FEBRUARY 2024 9:30 A.M. Kaňao Room

PURCHASE REQUISITION (PR) NO., COVER TITLE AND HEADERS OF THE BID DOCUMENTS (TO CORRECT THE PR NO. AND TITLE)	
FROM	TO
S3-WMO23-005 Supply and Delivery of Various Mechanical Spare Parts for 100kW, 150kW, 200kW, 300kW, 545kW & 600kW Cummins Generator Set of SPUG WMOD Plants	S3-WMO24-005 Supply and Delivery of Various Mechanical Spare Parts for 100kW, 150kW, 200kW, 280kW , 300kW, 545kW & 600kW Cummins Generator Set of SPUG WMOD Plants
SECTION VI – TECHNICAL SPECIFICATIONS (VI-TS-4) TS-3.0 DELIVERY PERIOD AND LOCATION	
FROM	TO
The delivery period shall be ONE HUNDRED TWENTY (120) CALENDAR DAYS reckoned from receipt of Notice to Proceed.	The delivery period shall be ONE HUNDRED EIGHTY (180) CALENDAR DAYS reckoned from receipt of Notice to Proceed.

SECTION VI-TECHNICAL SPECIFICATIONS PART II – TECHNICAL DATA SHEETS 1.0 SPARE PARTS DATA MODEL AND SERIAL NO. (VI-TDS-2)	
(For 280kW)	
FROM	TO
NTA855, S/N:S015511	NTA855-G1B S/N:41098916
(For 150kW)	
FROM	TO
6CTA8.3-G2 S/N:6919447	6CTA8.3-G2 S/N:69196459



NATIONAL POWER CORPORATION
 Gabriel Y. Itchon Building
 Senator Miriam P. Defensor-Santiago Avenue (formerly BIR Road)
 Corner Quezon Avenue, Diliman 1100 Quezon City, Philippines
 Tel. Nos. (632) 8921-3541 to80 • Fax No. (632) 8921-2468
 Website: www.napocor.gov.ph



**CLARIFICATIONS:
FOR 300KW CUMMINS, QSX15-G9
RADIATOR ASSEMBLY WITH CHARGE AIR COOLER**

6 rows, 120 pins/tubes per row.

**CLARIFICATIONS:
RADIATORS AND AIR COOLER DRAWINGS AND DIMENSIONS**

Pls. refer to the attached Drawings and Dimension of Radiator and Air Cooler.
(comprising of eight [8] pages)

**CLARIFICATIONS:
SECTION VI-TECHNICAL SPECIFICATIONS**

Part I – Technical Specifications

- Clarifications for the following items:

ITEM NO.	DESCRIPTION	PART NUMBERS	REMARKS
39	Connection, Water Pump for 600kW Cummins, KTA38-G1	MP5267	<i>Pls. refer/see attached Parts Catalogue comprising of eight (8) pages</i>
58	Filter, Primary Filter, for 280kW Cummins, NTA855	BM79866	
63	Filter, Fuel (Primary), for 600kW, Cummins, KTA33-G1	PL-240	
73	Gasket Bottom, Gasket Set, for 300kW, Cummins, QSX15-G9	380058	
102	Hose, Flexible, for 600kW, Cummins, KTA380-G1	63223	
103	Hose Flexible, for 600kW Cummins, KTA38-G1	AS5063	
111	Injector, Mounting, for 600kW Cummins, KTA38-G1	MP4991	
148	Piston Ring Assy, (3 pcs./set), for 300kW Cummins, Model No. QSX15-G9	Model No. QSX15-G9, S/N: 80307056	
162	Pump, Water, Mounting, for 600kW, Cummins, KTA38-G1	MP5274	
182	Support, Water Pump Mounting, for 600kW Cummins, KTA38-G1	MP5273	

All other terms and conditions shall remain the same. Supplemental for clarifications shall only supersede the affected requirements.

For the information and guidance of all authorized copyholders of the Bid Documents and prospective bidders.

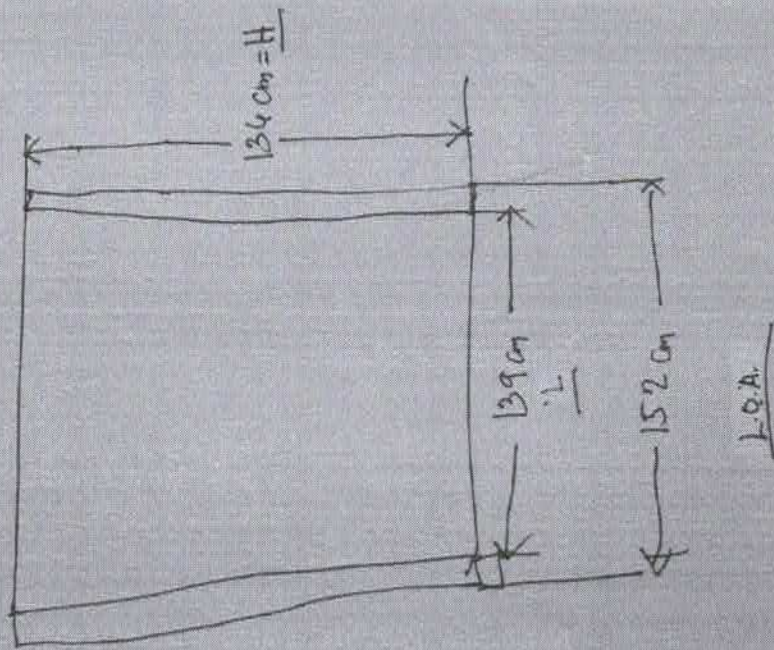
For the Bids and Awards Committee:

ATTY. MELCHOR P. RIDULME

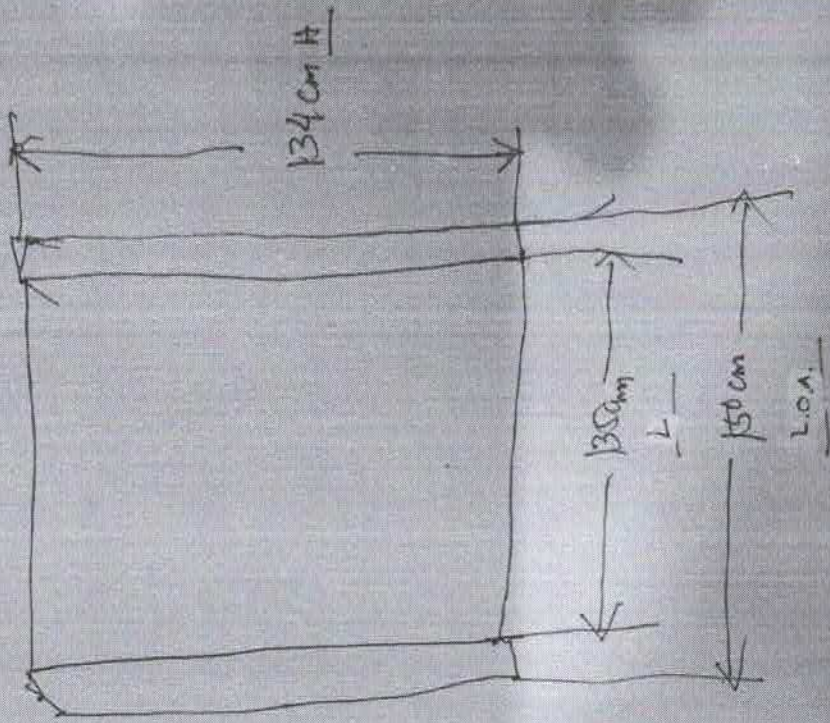
Vice President, Office of the Legal Counsel
and Chairman, Bids and Awards Committee

**DRAWINGS/PICTURES
AND DIMENSIONS
OF RADIATORS
AND AIR COOLER**

RADIATOR



AIR COOLER





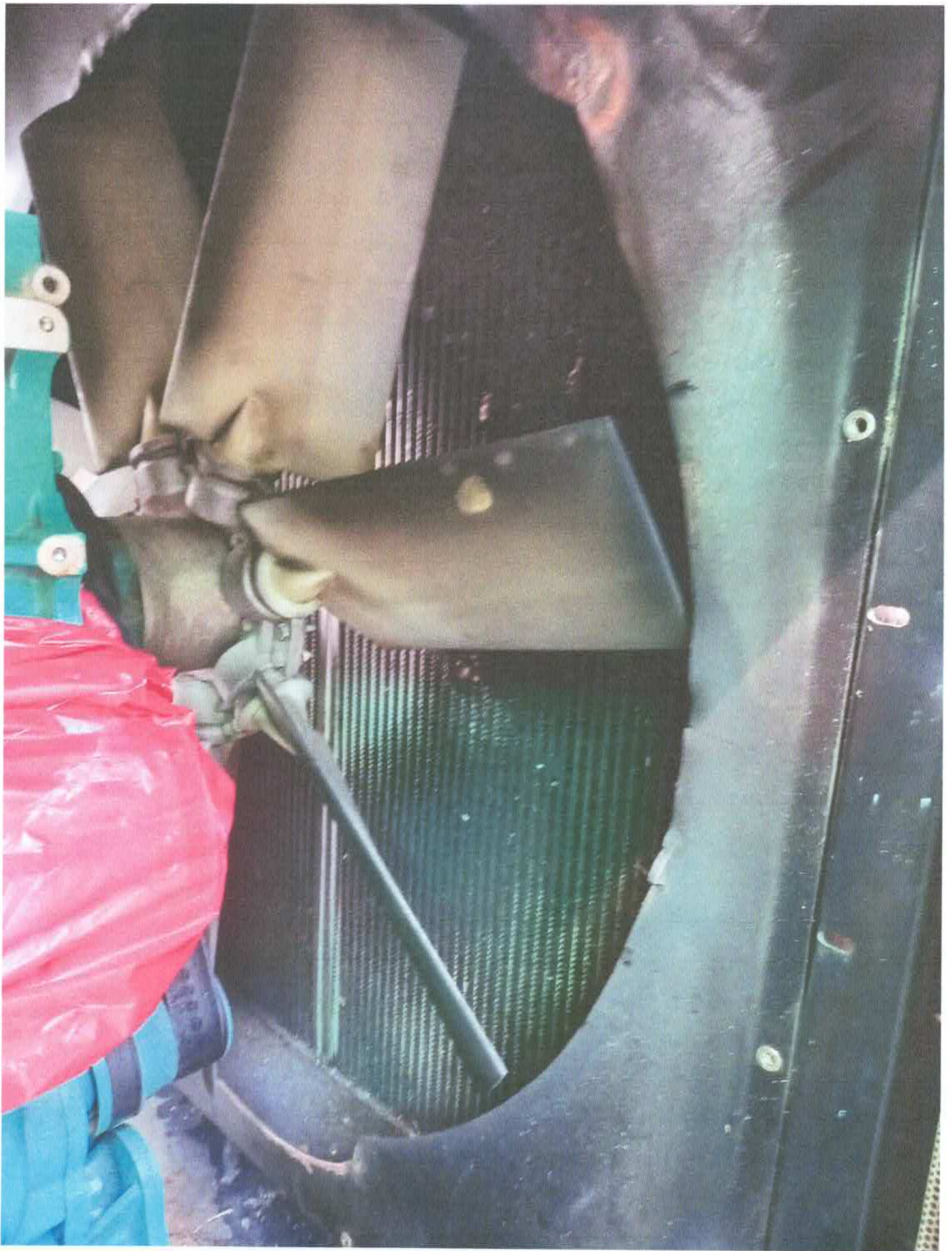












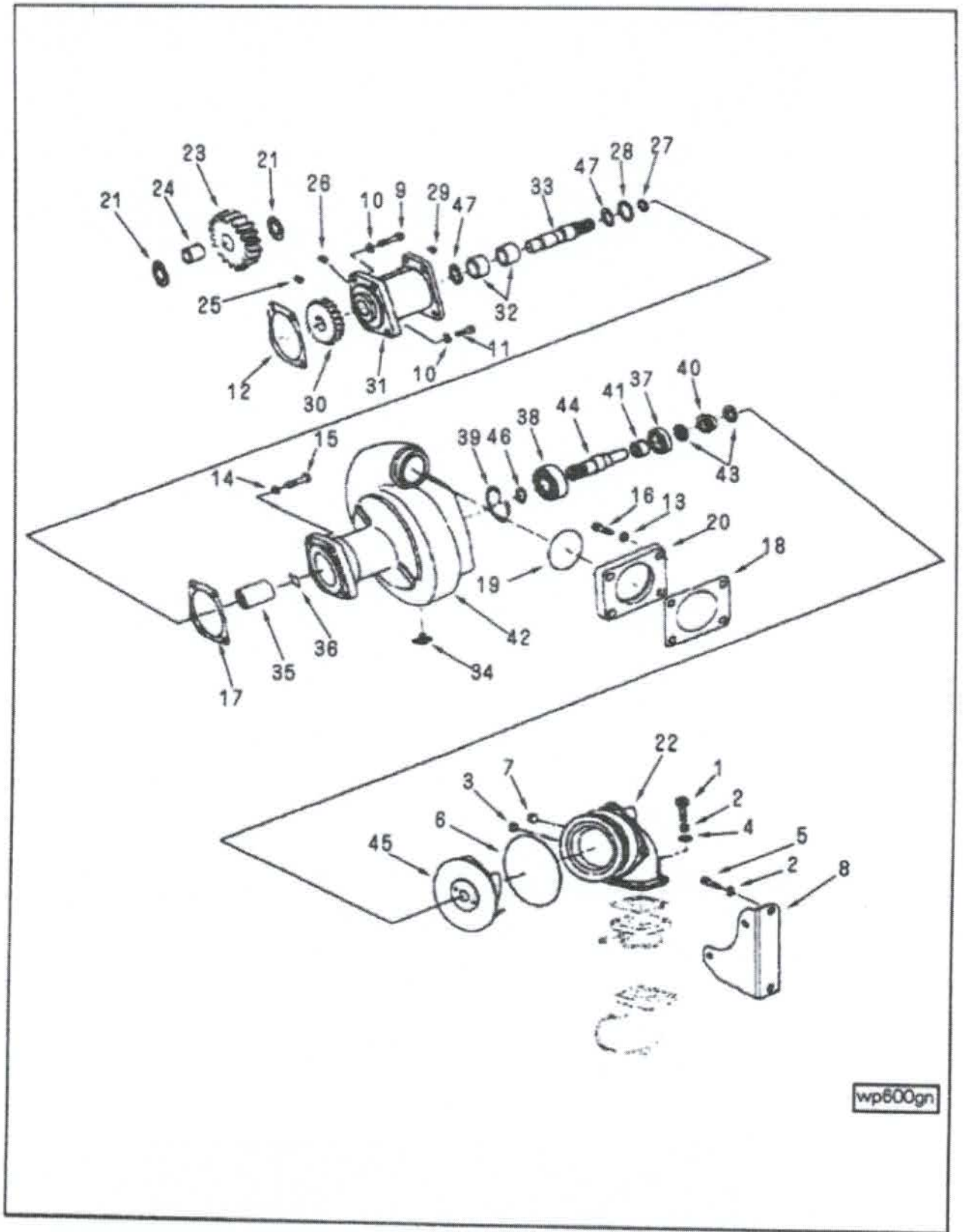
**PARTS CATALOGUE
FOR ITEM NOS. 39,
58, 63, 73, 102, 103,
111, 148, 162 AND
182**

表-11

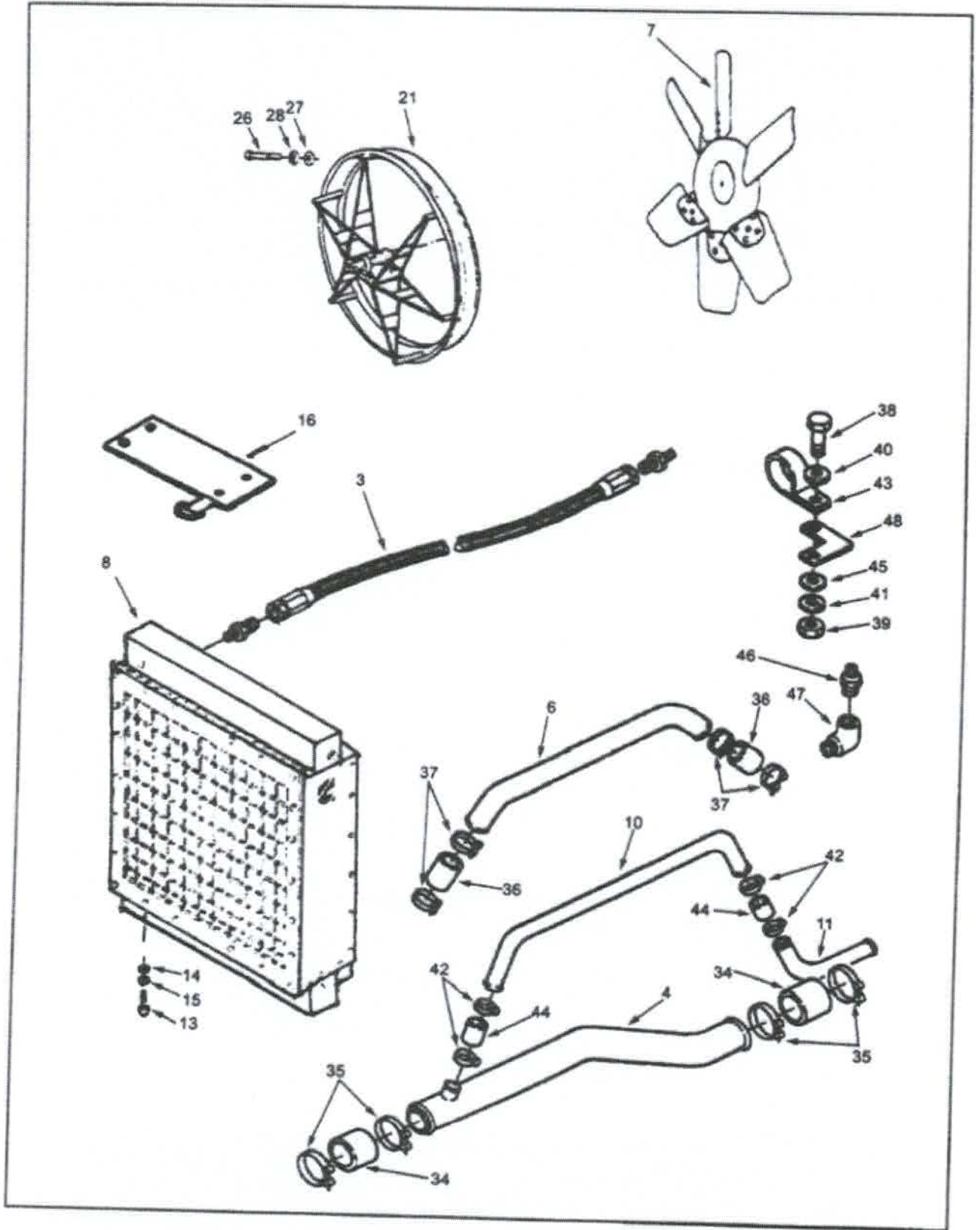
水泵

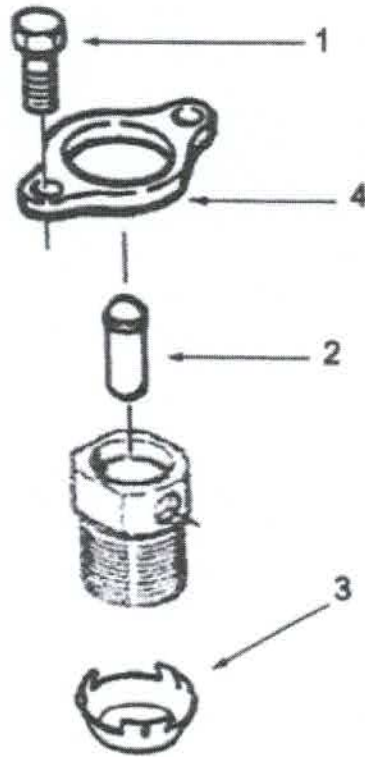
BP 6026

级别	零件号	图上 标号	零件名称		数量	备注
			中文	英文		
02	MP 5273		水泵支架安装	SUPPORT.WATER PUMP MTG	1	
03	103009	11	六角螺栓	SCREW.HEXAGON HEAD CAP	1	
03	206416	12	水道衬垫	GASKET.SUPPORT	1	
03	S 162	A 9	六角螺栓	SCREW.HEXAGON HEAD CAP	3	
03	S 610	10	弹簧垫圈	WASHER.LOCK	4	
02	MP 5267		水管接头安装	CONNECTION.WATER PUMP	1	
03	108330	4	平垫圈	WASHER.PLAIN	4	
03	108707	5	六角螺栓	SCREW.HEXAGON HEAD	2	
03	206457	6	O型密封圈	SEAL.O RING	1	
03	3008468	7	管塞	PLUG.PIPE	1	
03	3175857	8	水泵支架	SUPPORT.WATER PUMP	1	
03	S 103	D 1	六角螺栓	SCREW.HEXAGON HEAD CAP	4	
03	S 604	2	弹簧垫圈	WASHER.LOCK	6	
03	S 907	A 3	管塞	PLUG.PIPE	1	
02	3004682		水泵齿轮	GEAR.IDLER ASSY	1	
03	3004686	24	轴承	BEARING	1	
03	3004593	23	水泵齿轮	GEAR.IDLER	1	
02	3001712	22	进水接头	CONNECTION.WATER INLET	1	
02	130083	21	止推轴承	BEARING.THRUST	2	



级别	零件号	图上 标号	零件名称		数量	备注
			中文	英文		
02	3165765	8	散热器	HEAT EXCHANGIR	1	适用于: KT38-G
02	3003885	10	水箱加水管	TUBE. RADIATOR FILL LOWE	1	
02	3003909	11	水箱加水管	TUBE. RADIATOR FILL LOWE	1	
02	3165707	4	进水管	TUBE WATER INLET	1	
02	3165799	7	风扇	FAN. ENGING	1	
02	3176883	16	隔热板	SHIELD HEAT	1	
02	4060677	6	发动机出水管	TUBE WATER OUTLET	2	
02	4060687	21	风扇防护罩	FAN. GUARD	2	
02	3012154		进水管	TUBE WATER INLET	1	
03	43828	B	软管夹箍	CLAMP HOSE	2	
03	102522		软管	HOSE.FLEXIBLE	1	
03	149274	34	软管	HOSE.FLEXIBLE	2	
03	149437	35	夹箍	CLAMP HOSE	4	
03	3165997		放水开关	DRAIN COCK	1	
03	S 983		异径管衬套	BUSHING	1	
02	3012155		出水管	TUBE WATER OUTET	1	
03	43828	F	软管夹箍	CLAMP HOSE	4	
03	63223	36	软管	HOSE.FLEXIBLE	2	
02	3012156		加注水管安装	MOUNTING FILL TUBE	1	
03	43828	B	软管夹箍	CLAMP HOSE	6	
03	68189	43	夹子	CLIP	2	
03	102522	44	软管	HOSE.FLEXIBLE	3	
03	108330	45	平垫圈	WAHER PLAIN	4	
03	143950	46	阳性弯接头	CONNECTOR MALE	2	
03	144372	47	凸式弯管接头	ELBOW.MALE ADAPTER	2	
03	171868	48	机油尺管支架	BRACE DIPSTICK TUBE	2	
03	201351		导线夹	CLAMP WIRE TIN	6	
03	S 112	38	螺栓	SCREW HEXAGON HEAD CAP	2	
03	S 223	39	六角后螺母	MUT JEAVU JEXAGPM	2	
03	S 602	40	平垫圈	WAHER PLAIN	2	
03	S 604	41	弹簧垫圈	WASHER LOCK	2	
02	4061496		风扇防护罩安装	MTG. FAN GUARD	1	
03	3165917	26	六角螺栓	SCREW HEX HEAD CAP	6	
03	3165956	27	平垫圈	WASHER PLAIN	6	
03	3165975	28	弹簧垫圈	WASHER LOCK	6	
02	4061499		水箱总成安装	RADIATOR & FAN ASSY MTG	1	
03	AS 5063	SS	软管	HOSE.FLEXIBLE	2	
03	S 112	C	六角螺栓	SCREW HEXAGON HEAD CAP	6	
03	S 204	14	六角后螺母	NUT HEAVY HEXAGON	6	
03	S 611	15	弹簧垫圈	WASHER LOCK	6	

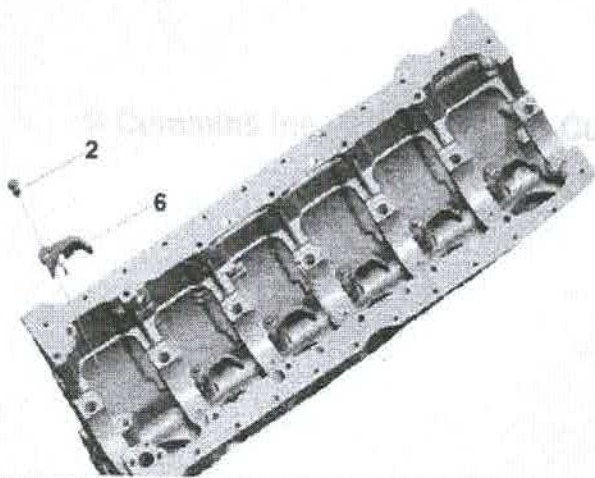
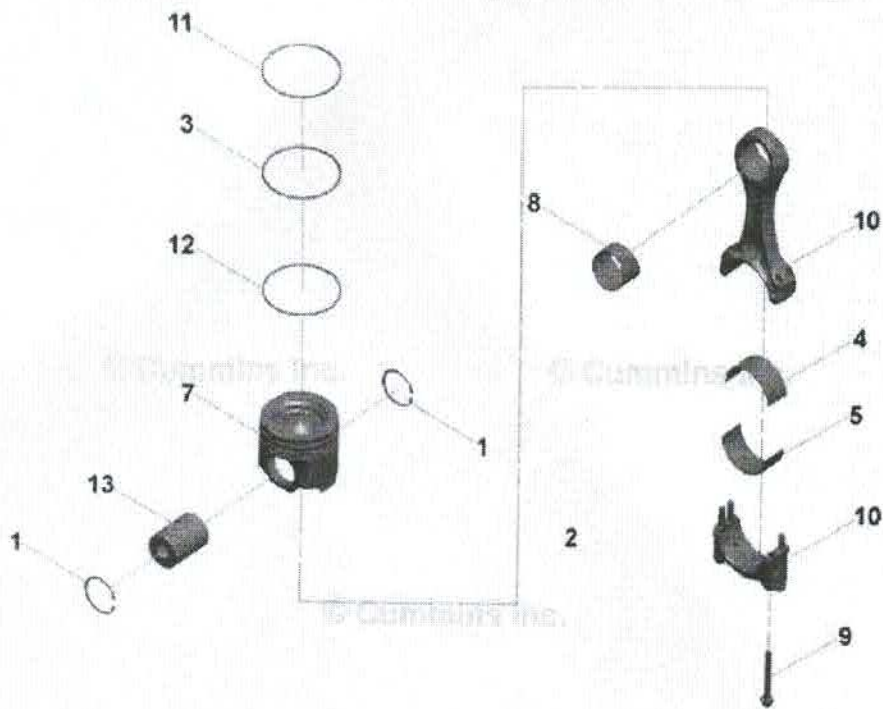




级别	零件号	图上 标号	零件名称		数量	备注
			中文	英文		
02	MP 4991		喷油嘴安装	INJECTOR, MTG	12	
03	165006	1	六角螺栓	SCREW, HEXAGON HEAD	2	
03	205462	2	喷油器连接杆	LINK, INJECTOR PL	1	
03	207244	3	喷油器密封环	RING, INJECTOR SE	1	
03	3006696	4	喷油器压板	CLAMP, INJECTOR	1	



QSX15-G9



Parts Catalog

Ref	Part Number	Description	Quantity	Dimensions	Available Kits
1	3064305	RETAINING RING	12		
2	3679037	BANJO CONNECTOR SCREW	6	M14 x 37	



CamScanner 24

14/8



QSX15-G9

Ref	Part Number	Description	Quantity	Dimensions
3	3685672	COMPRESSION PISTON RING	6	
4	3686435	CONNECTING ROD BEARING	6	
5	3686436	CONNECTING ROD BEARING	6	
6	3687058	PISTON COOLING NOZZLE	6	
7	3688100	ENGINE PISTON	6	
	3689108	ENGINE CONNECTING ROD	6	
8	2882581	BUSHING	1	
9	3678574	CONNECTING ROD CAP SCREW	4	M12 X 1.25 X 100
10	3686171	ENGINE CONNECTING ROD	1	
11	3690770	COMPRESSION PISTON RING	6	
12	3691668	OIL PISTON RING	6	
13	5484414	PISTON PIN	6	

Available Kits

148

级别	零件号	图上 标号	零件名称		数量	备注
			中文	英文		
02	3024194		水泵支座总成	SUPPORT.WATER PUM	1	
03	68193	25	管塞	PLUG,PIPE	1	
03	70295	26	管塞	PLUG,PIPE	1	
03	205166	27	挡圈	RING.RETAINING BE	1	
03	205168	28	夹子垫圈	WASHER.CLAMPING	1	
03	206742	29	碗形塞	PLUG,EXPANSION	1	
03	207251	30	水泵齿轮	GEAR.WATER PUMP	1	
03	3024195	31	水泵支架	SUPPORT.WATER PUMP	1	
04	205156	32	衬套	BUSHING	2	
04	(3175234)		水泵支座	SUPPORT.WATER PUMP	1	
03	3026556	47	止推轴承	BEARING,THRUST	2	
03	3030302	33	水泵轴	SHAFT,WATER PUMP	1	
02	3050445		水泵总成	PUMP.WATER	1	
03	3018898		花键套和卡环	COUPLING & SNAP RING	1	
04	206195	35	花键套	SLEEVE,SPLINECOUPLING	1	
04	206196	36	卡环	WIRE,SNAP	1	
03	3050443	42	水泵	PUMP,WATER	1	
04	3165998	34	放水开关	DRAINCOCK	1	
04	S 16054	37	滚珠轴承	BEARING, BALL	1	
04	S 16069	38	滚珠轴承	BEARING, BALL	1	
04	70183	39	挡圈	RING.RETAINING BE	1	
04	206198	40	油封	SEAL, OIL	1	
04	3030487	41	轴承隔套	SPACER, BEARING	1	
04	3030489	42	水泵体	BODY, WATER PUMP	1	
04	3089056	43	水封	SEAL, WAT PUMP	1	
04	3626952	44	水泵轴	SHAFT, WATER PUMP	1	
04	3050453	45	水泵叶轮	IMPELLER, WAT PUMP	1	
04	3175573	46	挡圈	RING.RETAINING BE	1	
02	MP 5274		水泵安装	PUMP,WATER MTG	1	
03	103009	15	六角螺栓	SCREW,HEXAGON HEAD CAP	4	
03	199919	16	十二角螺栓	SCREW,TWELVE POIN	4	
03	206193	17	水泵垫片	GASKET,WATER PUM	1	
03	206455	18	水泵衬垫	GASKET,WATER PUMP	1	
03	3007512	19	O型密封圈	SEAL,O RING	1	
03	3008494	20	接头	ADAPTER,O RING	1	
03	S 604	13	弹簧垫圈	WASHER,LOCK	4	
03	S 610	14	弹簧垫圈	WASHER,LOCK	4	